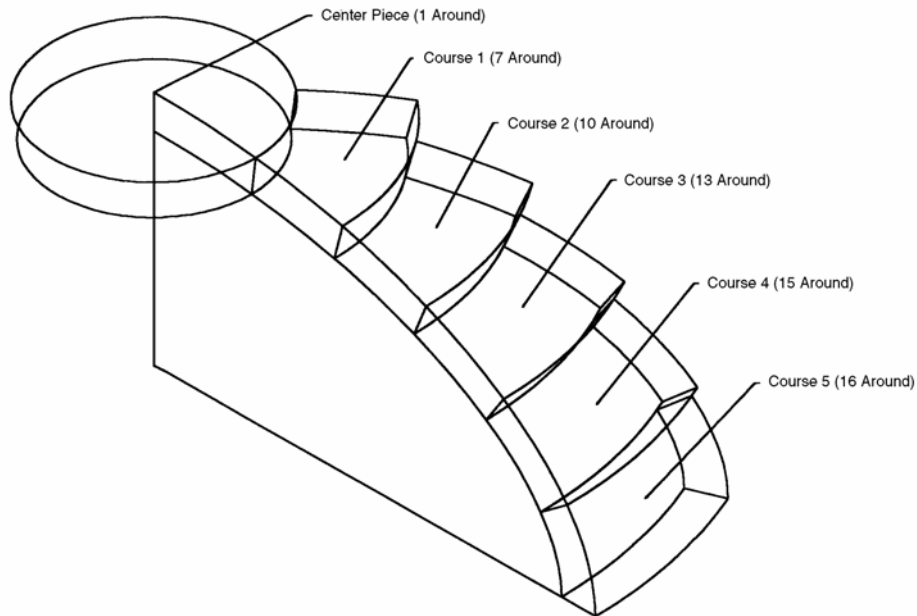


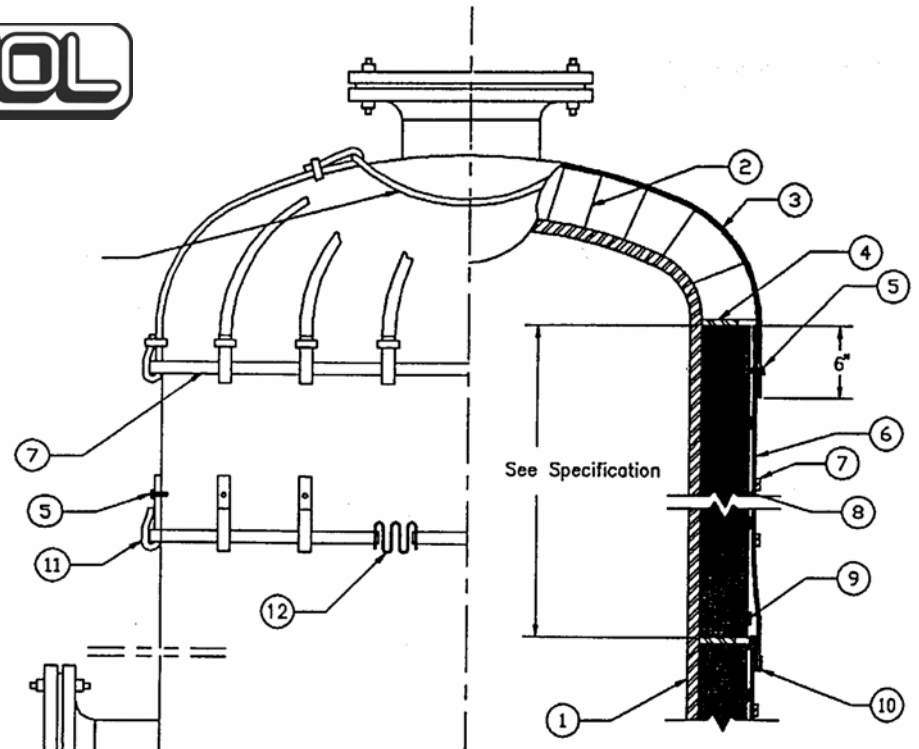
Extol Contoured Head System

Example of a Typical Layout: 72" x 3" 2:1 Elliptical
Identifies Number of Courses & Number of Pieces Per Course



Extol Contoured Head System

Detail of Mechanical Securement



- 1 Vessel shell
- 2 Vessel head insulation
- 3 Vessel head weatherproofing jacket
- 4 Insulation support
- 5 Sheet metal screws
- 6 Vessel side weatherproofing jacket
- 7 Bands
- 8 Vessel side insulation
- 9 Bands
- 10 "S" clip
- 11 "J" clip

EXTOL OF OHIO, INC.

208 Republic Street, Norwalk, Ohio 44857 Phone: (800) 486-9865 or (419) 668-2072
Fax (419) 663-1992 www.ExtolOhio.com Email: info@extolohio.com